

field hospital, or for housing components of a field bakery. The tent is intended to be used in temperate and tropical climates; however, with the liner, it can be used effectively in cold climates.

b. Description. The tent is a rectangular, hip-roofed, pole-supported tent consisting of eave poles, door poles, center upright poles, ridge pole, tent, and tent liner.

(1) *Tabulated data.*

Height: ridge height, 10 feet; eave height, 5 feet 6 inches.

Length: 32 feet 8 inches.

Width: 16 feet.

Weight: tent, 334 pounds; liner, 100 pounds; pins and poles, 200 pounds.

Cube: 33 cubic feet.

Floorspace: 512 square feet.

(2) *Material.* The roof, sidewalls, and end walls are made of 12.29-ounce duck, FWWMR. The whole tent is made in one piece. The canvas is suspended on a webbing framework which carries the stress and supports the canvas. The walls are split at the four corners and can be fastened together with a slide fastener at each corner.

(3) *Doors.* The tent has two door entrances, one at each end. Each door entrance is 6 feet high and 4 feet wide.

(a) *Door curtains.* Two curtains, attached to each end near the door entrances, slide along a double wire cable at the eave to open or shut the door entrances.

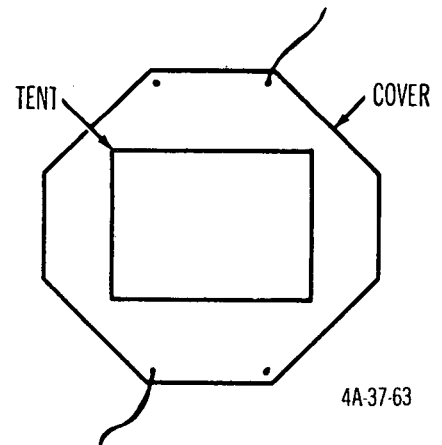
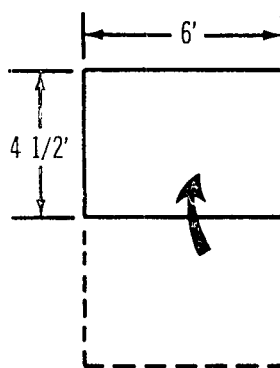
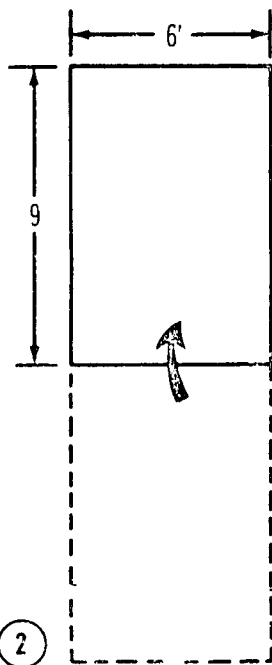
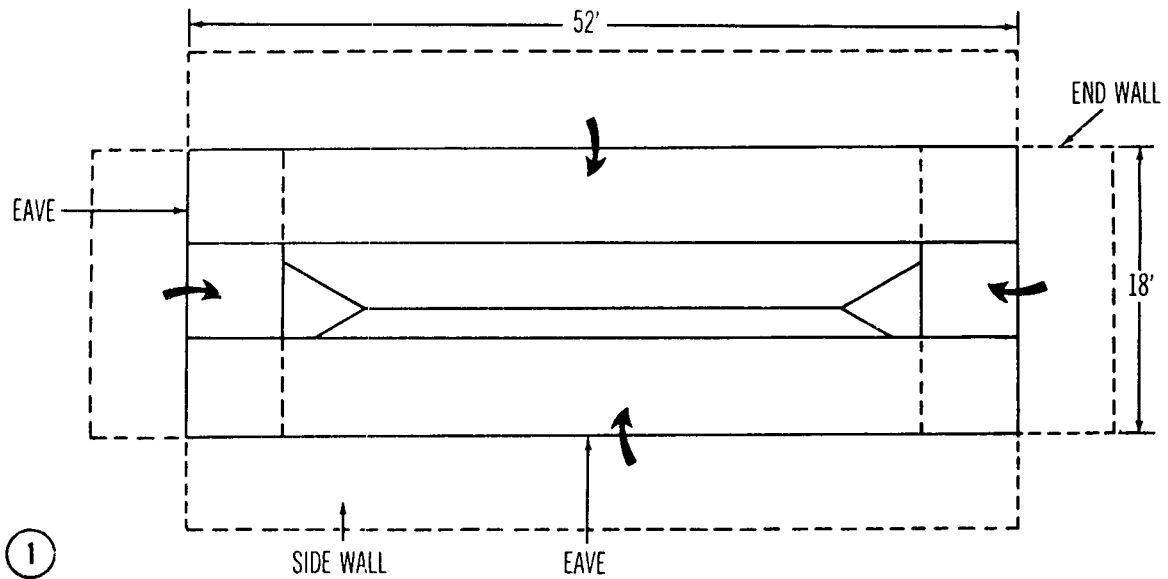
(b) *Door screens.* A screen is attached on the inside to each side of each door entrance. When in use, the door screens are pulled across the door entrances and secured in place by tying tie tapes at the top of the screens to metal rings at the eave above the door entrances. When not in use, the door screens are rolled to the side inside the tent and secured by tying tie tapes along the sides of the screens.

(4) *Ventilation.*

(a) The tent is ventilated by two ventilators, one at the top of each end

8. Tent, General Purpose, Medium

a. Use. The tent, general purpose, medium, FWWMR, OD, complete with pins and poles (fig. 25), is designed to be used primarily for the quartering of troops. It can also be used as a command post, a fire support control center, or a messhall; and it can be used for artillery operations, storage, housing components of a

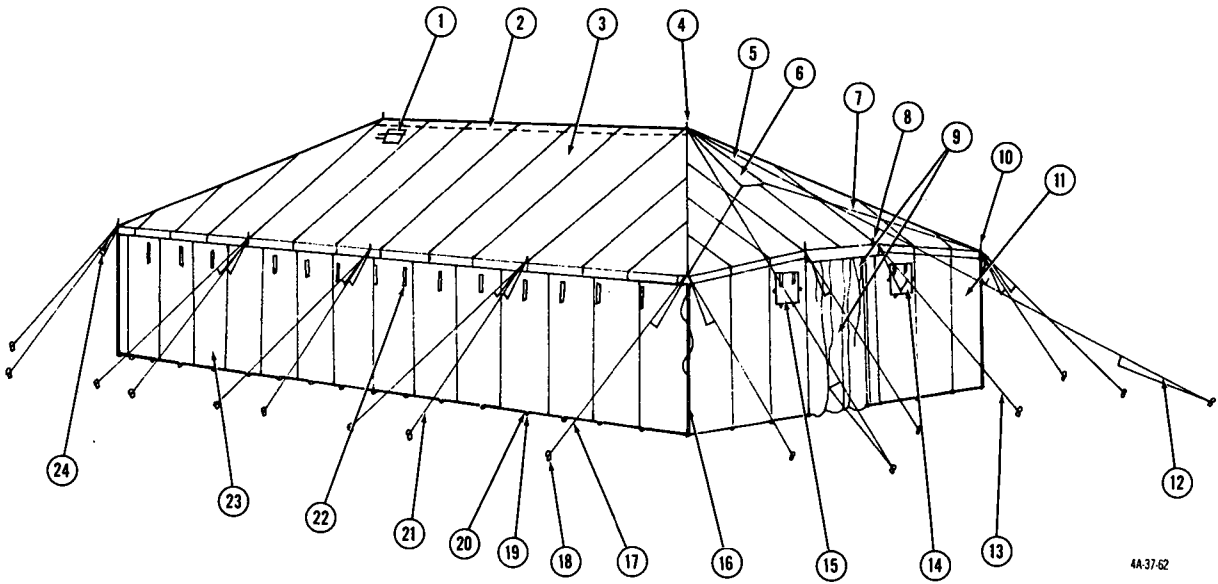


4A-37-63

Figure 24. Steps in folding tent, general purpose, large.

- section near the ridge. The openings are protected by canvas flaps.
- (b) When stoves are not being used, the stovepipe openings can also be used as ventilators.
- (c) The door curtains can be opened for more ventilation.

- (d) Still more ventilation can be obtained by rolling up the sides of the tent to the eaves and tying them with tie tapes.
- (5) *Heating.* The tent is heated by two M-1941 tent stoves. There are two stovepipe openings built in near the



- | | |
|------------------------|---|
| 1 Stovepipe opening | 13 Door eave line |
| 2 Ridge pole | 14 Care and maintenance instructions flap |
| 3 Side roof | 15 Erection instructions flap |
| 4 Center pole | 16 Slide fastener |
| 5 End roof | 17 Corner eave line |
| 6 Ventilator | 18 24-inch wood tent pin, or 12-inch steel tent pin |
| 7 Ventilator flap line | 19 Footstop |
| 8 Door pole | 20 16-inch wood tent pin, or 9-inch aluminum tent pin |
| 9 Door curtain | 21 Side eave line |
| 10 Eave pole | 22 Tie tape |
| 11 End wall | 23 Sidewall |
| 12 Ridge guy line | 24 Tent slip |

Figure 25. Tent, general purpose, medium.

two large upright poles of the tent. The openings are protected by canvas flaps.

- (6) *Cover.* The tent is provided with a cover for use when it is in storage or is being transported.
- (7) *Liner.* A liner with cover is available as a separate item of issue. It provides insulation from the cold in winter and reduces radiation from the sun in summer. The liner can be attached to the inside of the tent. The liner has both fabric and screening sidewalls below the eaves. The fabric sidewalls are made of 5.2-ounce cotton cloth. The screening sidewalls are made of plastic. The fabric sidewalls can be rolled up to the eaves and secured by tie tapes and thus permit the use of the screening alone. The screening provides protection from in-

sects and permits the liner to be used in hot as well as cold weather. There are two built-in ventilator screens corresponding in location to the two ventilators in the tent. There are two stovepipe openings in the liner corresponding in location to the stovepipe openings in the tent.

c. Ground Plan. Before pitching the tent, study the ground plan carefully (fig. 26).

d. Pitching. Four men can pitch the tent in approximately 40 minutes.

- (1) *Securing tent to ground in preparation for raising tent walls* (1, fig. 27).
 - (a) Remove tent from cover, and place it in position on the ground so that corners are square.
 - (b) Close slide fasteners at tent corners.
 - (c) Drive a 16-inch wood pin, or in cold climate a 9-inch aluminum pin, at

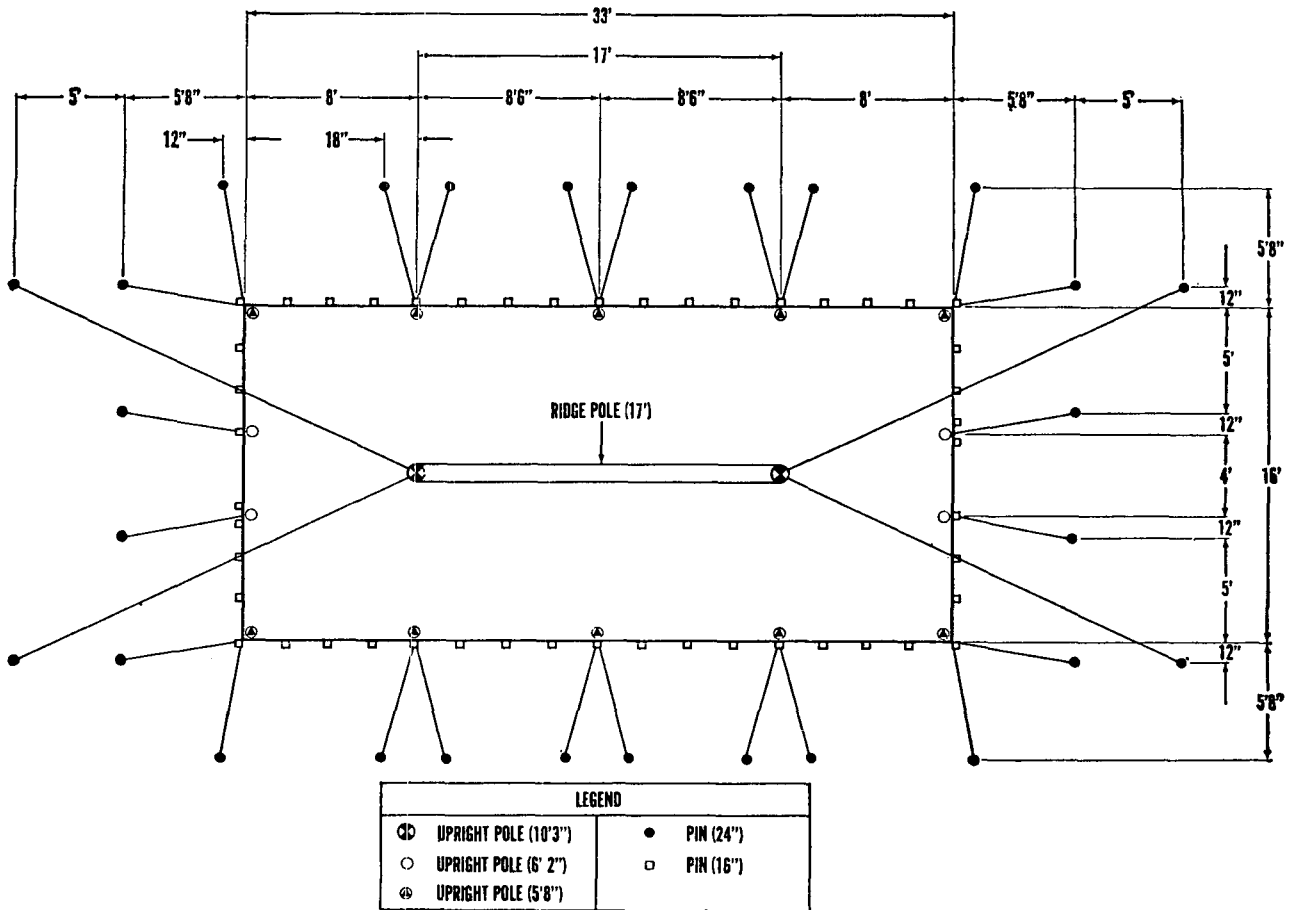


Figure 26. Ground plan of tent, general purpose, medium.

- each corner, and attach end wall and sidewall corner footstops to pins.
- (d) Drive the 24-inch wood pins, or in cold climate the 12-inch steel pins, according to the ground plan, using the 5-foot 8-inch poles to measure distance from the tent.
- (e) Attach side, corner, and door eave lines to pins.
- (2) *Raising tent sidewalls* (2, fig. 27).
- (a) Insert spindles of 5-foot 8-inch poles through handworked rings at sides and corners of tent.
- (b) Insert spindles of 6-foot 2-inch poles through handworked rings at front and rear doors.
- (c) Raise tent walls by raising side, corner, and door eave poles to an upright position.
- (d) Tighten eave lines just enough to hold poles up.
- (3) *Preparing to raise tent roof* (3, fig. 27).
- (a) Assemble center upright poles and ridge pole.
- (b) Slide ridge pole through tent door and position it under tent ridge.
- (c) Insert spindles of center upright poles through holes in ridge pole, through tent ridge plates, and through handworked rings in tent ridge.
- (d) Attach guy lines to spindles of center upright poles at each end of the tent.
- (4) *Raising tent roof* (4, fig. 27).
- (a) Raise the two center upright poles to a vertical position.

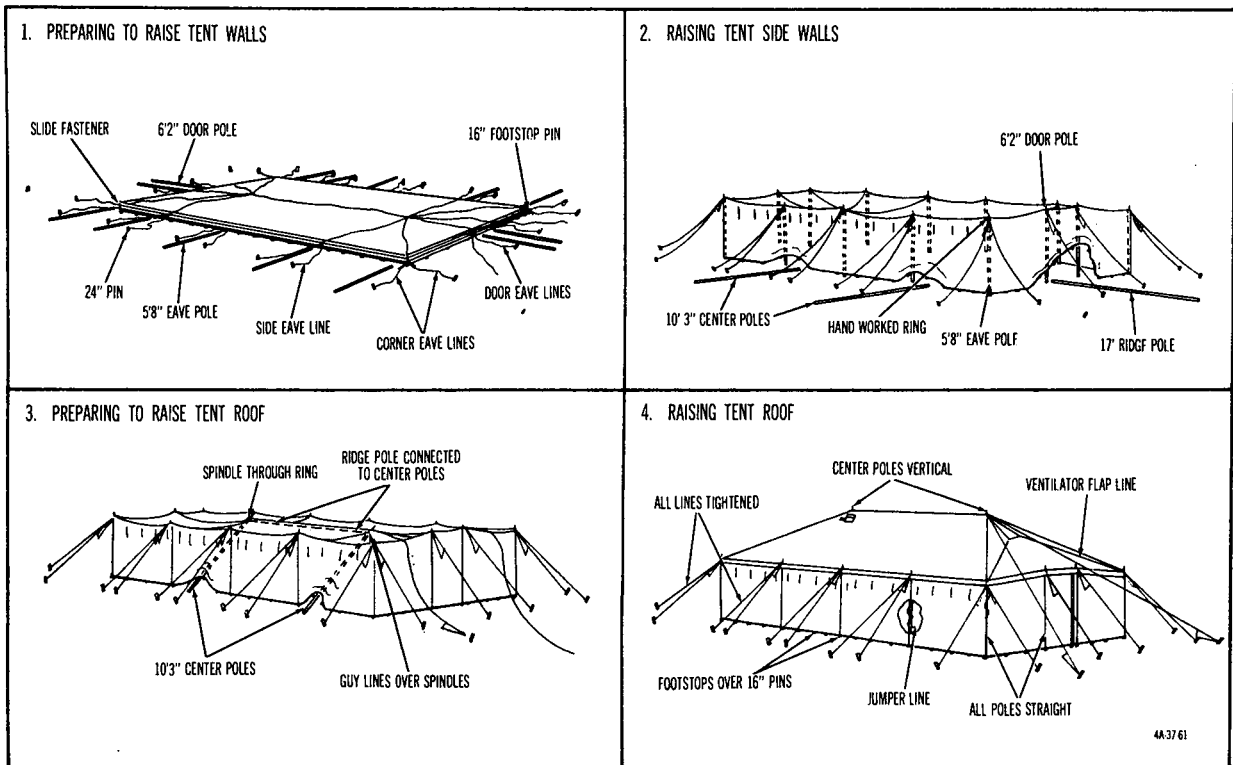


Figure 27. Steps in pitching tent, in general purpose, medium.

- (b) Attach all guy lines to pins and tighten.
 - (c) Drive remaining 16-inch wood pins, or in cold climate the 9-inch aluminum pins, and attach footstops to pins.
 - (d) Tie jumper lines to side and corner eave poles, door poles, and center upright poles.
 - (e) Adjust ventilator flap lines and tie them to spindles of corner eave poles.
 - (f) Straighten all poles and tighten all lines until tent is smooth.
 - (g) Tie tie tapes at inside corners of tent around corner eave poles.
- (5) Attaching liner to tent (fig. 28).
- (a) Loosen slightly all guy lines by adjusting tent slips (1).
 - (b) Unfold tent liner inside tent on one side of center poles so that stovepipe openings of tent liner are on same side of tent as stovepipe openings in tent (2).
 - (c) Lift each center upright pole, pull liner under pole, and slip liner pole sleeve over pole (3).
 - (d) Tie liner ridge suspension lines to tent ridge plates and to tent ridge pole (4).
 - (e) Secure liner to tent doors, corners, and sidewall eaves by passing eave suspension lines on liner through hardware eye on inside of tent; and then run suspension lines through grommets in liner and secure to D-rings on liner (5, fig. 22).
 - (f) Tie tie tapes at sides of liner door openings to door eave poles.
 - (g) Wrap liner pole sleeves around center upright poles and tie with tie tapes (5, fig. 28).
 - (h) Secure footstops in liner sidewall screen to tent footstop pins (5, fig. 28).
 - (i) Tighten all tent guy lines.

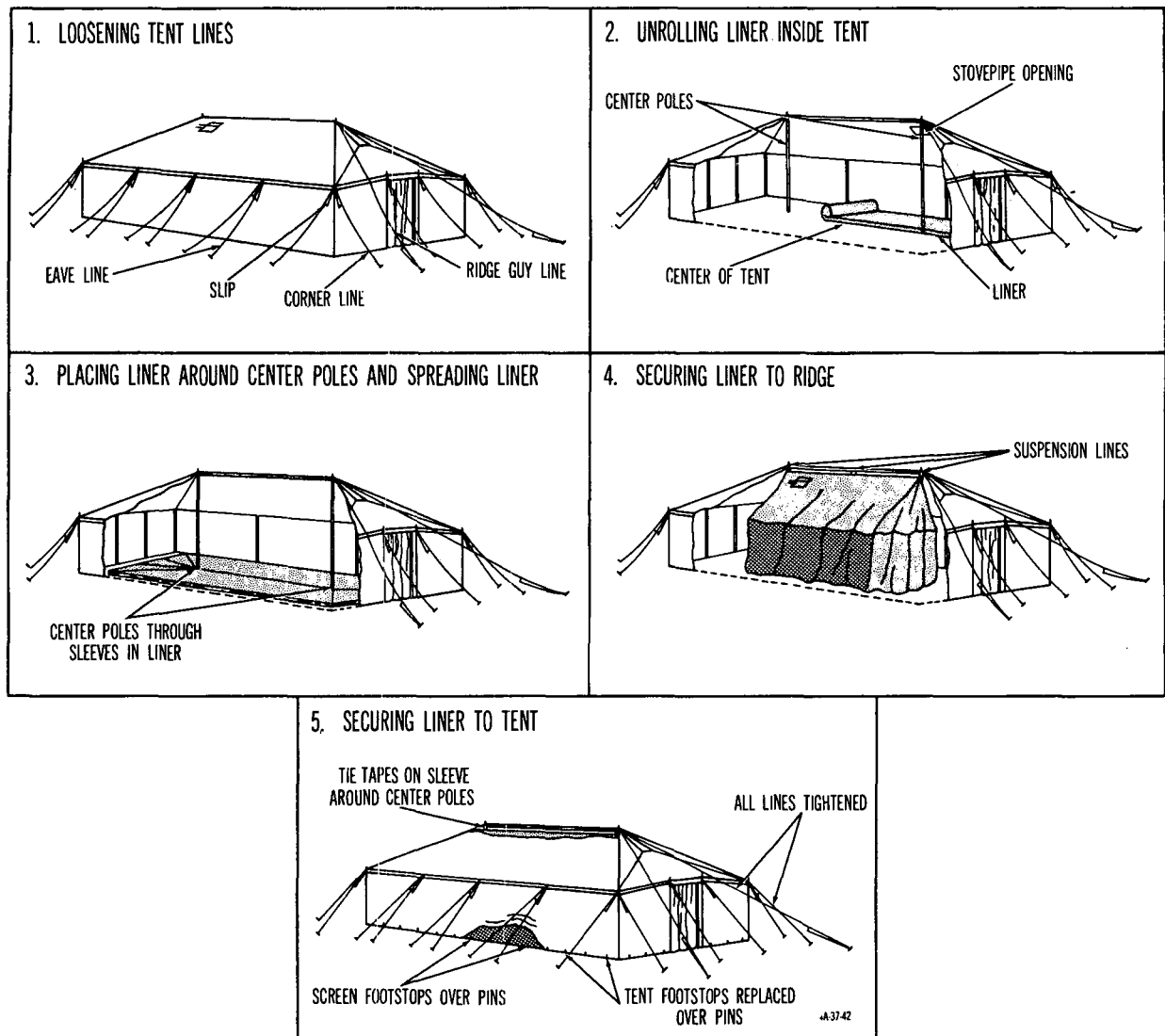


Figure 28. Steps in attaching liner to tent, general purpose, medium.

e. Striking. Four men can strike the tent in approximately 30 minutes.

(1) *Removing liner.*

- (a) Untie tie tapes at corners. Untie tie tapes at door entrances from door eave poles. Untie tie tapes of pole sleeves from around center upright poles.
- (b) Remove footstops of tent and liner screen from footstop pins.
- (c) Untie and remove eave suspension lines from liner D-rings and grommets, and tent hardware eye.
- (d) Untie ridge suspension lines from tent ridge plates and ridge pole, and

allow tent liner to drop to the ground.

- (e) Loosen all guy lines. Lift center upright poles slightly and remove liner from the poles.

(2) *Striking tent.*

- (a) Untie corner lug tie tapes and unwrap lugs from corner eave poles.
- (b) Close doors and fasten wooden toggles to toggle chapes.
- (c) Untie jumper lines from center upright poles and from eave and door poles.
- (d) Remove all footstop pins except those at each corner of the tent.

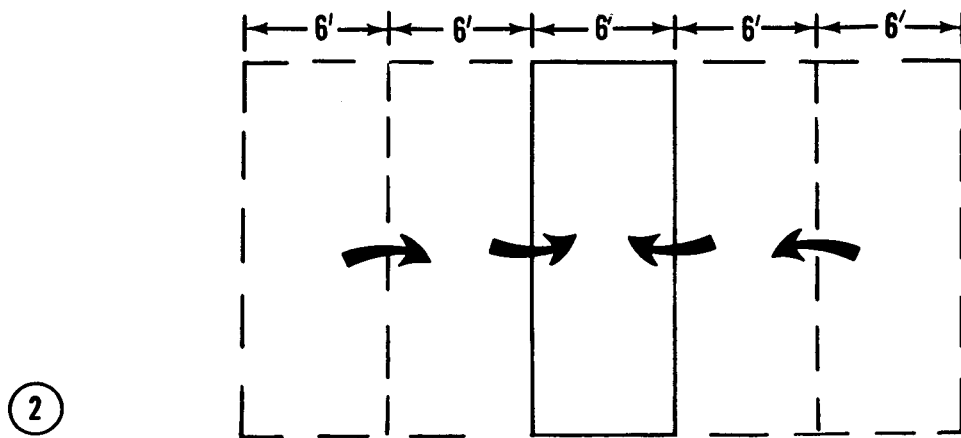
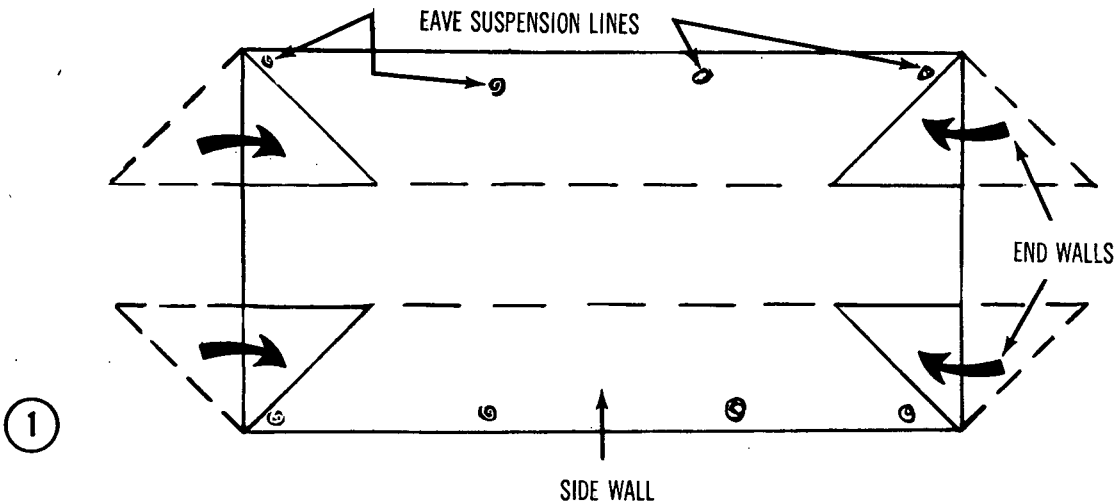
- (e) Remove all eave guy lines from guy-line pins except those at the corners of the tent. Remove all unused guy-line pins.
- (f) Remove door eave poles and all other eave poles except those at corners.
- (g) Remove ridge guy lines from tent pins, and lower center upright poles gently to the ground. Remove all unused tent pins.
- (h) Disconnect center poles from ridge pole and remove poles from tent. Disassemble ridge pole and center poles.
- (i) Unfasten the eight corner eave guy lines from guy-line pins; remove corner eave poles; remove corner

footstops from footstop pins; and remove remaining tent pins.

f. *Folding.*

(1) *Folding liner.*

- (a) Lay liner out as flat as possible with eave suspension lines rolled and placed on top of liner. Fold side and end walls and sidewall screens under liner; fold triangular ends of end walls over liner roof (1, fig. 29).
- (b) Fold ends of liner toward center, making 6-foot folds. Fold one end of folded liner over the other (2, fig. 29).
- (c) Fold one end of folded liner toward the center and over the other end



4A-37-60

Figure 29. Steps in folding liner of tent, general purpose, medium.

so that dimensions of folded liner are approximately 6 feet by 6 feet (3, fig. 23).

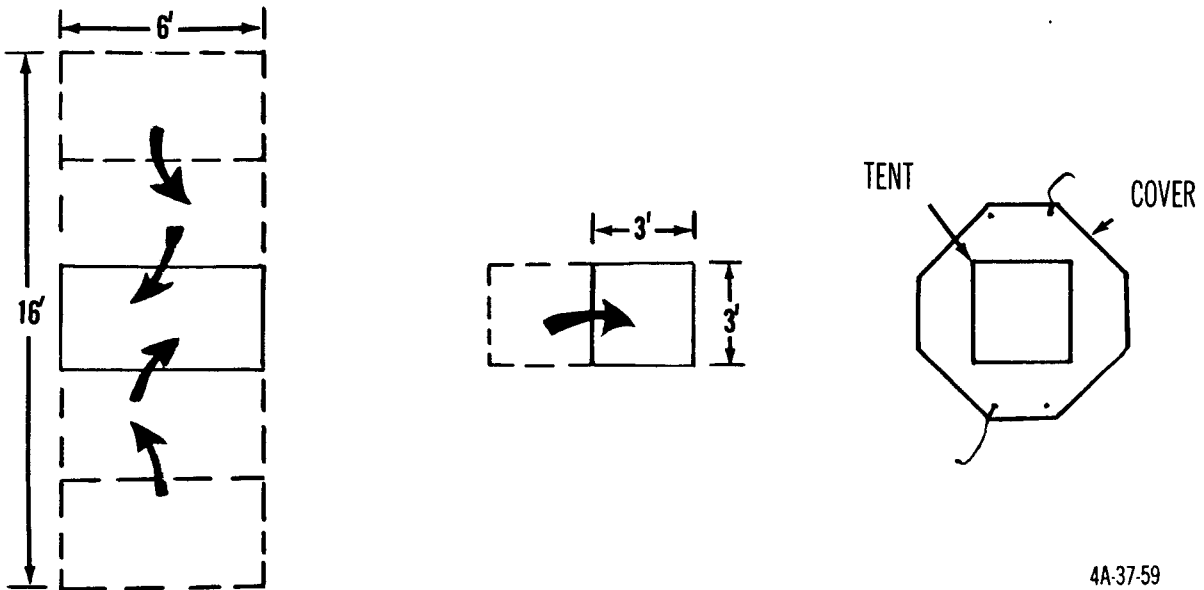
- (d) Fold liner in half twice so that dimensions of folded liner are approximately 3 by 3 feet, place folded liner in center of liner cover, fold all cover ends of flaps neatly within package, and close cover securely (4, fig. 23).

(2) *Folding tent.*

- (a) Open corner slide fasteners, close tent doors, and close and secure stovepipe openings.
- (b) Spread tent out flat, outside up, and

coil guy lines and place them on tent roof.

- (c) Fold end and sidewalls, along eave line, on tent roof (1, fig. 24).
- (d) Fold ends of tent toward center, making 6-foot folds. Fold one end of folded tent over the other (2, fig. 29).
- (e) Fold each end of folded tent toward center, making 3-foot folds; and overlap one end over the other (fig. 30).
- (f) Fold tent in half and place in center of cover (fig. 30). Close cover securely.



4A-37-59

Figure 30. *Folding tent, general purpose, medium.*